



31001 Float - right  
31002 Float - left



31003 Trampoline - right  
31004 Trampoline - left



31005 Seat - right  
31006 Seat - left  
Aluminium frame, transparent polyester board, Cleat, Block (excluding trampoline and keel fin)



31007 Keel fin



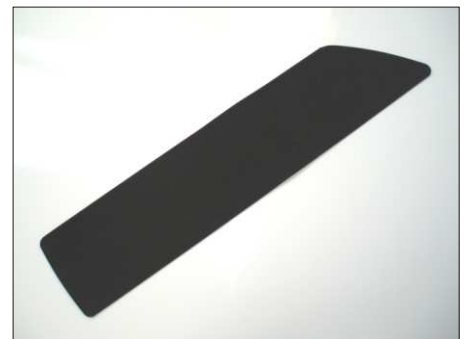
31008 Block  
Seat



31009 Cleat  
Rope capacity 2-8 mm



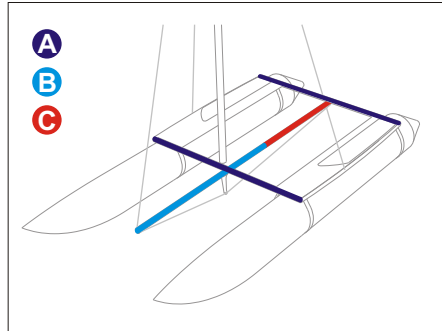
31010 Retaining Clip  
Stainless steel



31011 Rubber - right  
31012 Rubber - left  
Material: Kontypor



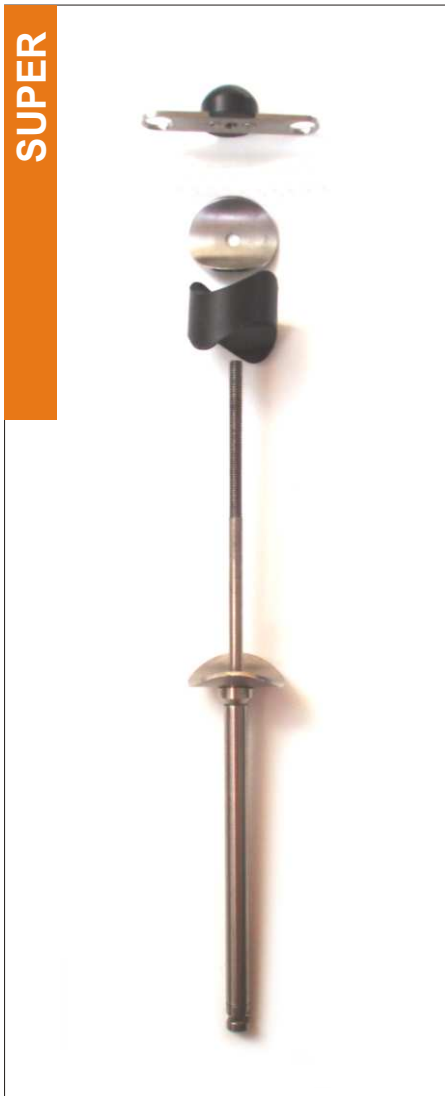
**31013 Keel fin clamp**  
Stainless steel  
40 x 16 x 2 mm



**A 31014 Frame tube**  
Aluminium tube 40 x 2 x 1350 mm

**B 31015 Central tube front**  
Aluminium tube 40 x 2 x 1350 mm

**C 31016 Central tube back**  
Aluminium tube 40 x 2 x 950 mm



**SUPER**



**31017 Joint female screw**  
Stainless steel



**31019 Washer**  
Stainless steel, 40 x 40 x 2 mm



**31020 Cross washer**  
Plastic

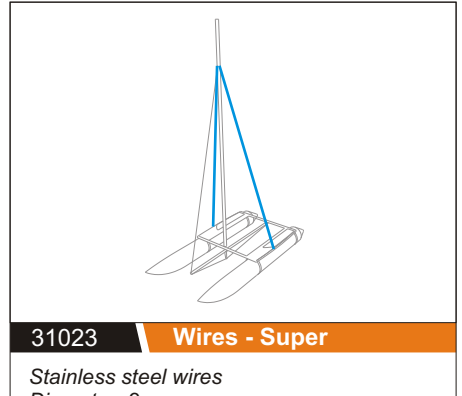


**31021 Front screw**  
Stainless steel

SPORT

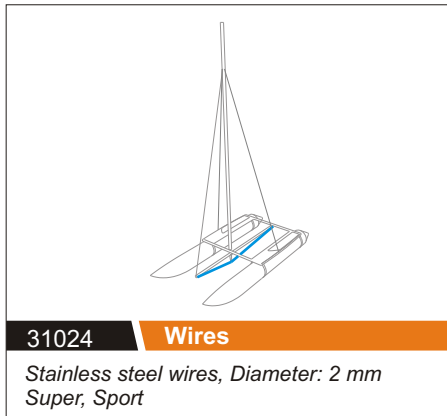


31022 Jib furler V-Cleat



31023 Wires - Super

Stainless steel wires  
Diameter: 2 mm



31024 Wires

Stainless steel wires, Diameter: 2 mm  
Super, Sport



31025 Wires - Sport

Stainless steel wires  
Diameter: 2 mm

SPORT, SUPER



31026 Back screw

M6 Stainless steel



31019 Washer

Stainless steel, 40 x 40 x 2 mm



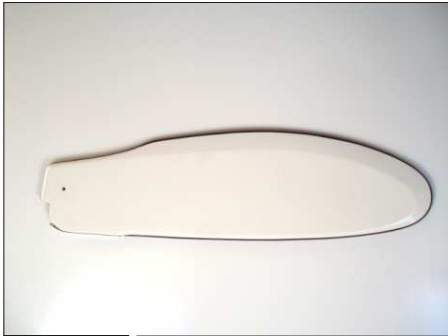
31020 Cross washer

Plastic



31027 Wing-nut

M6  
Stainless steel



31028 Rudder blade

Colour: White



31029 Rudder assembly

Rudder casting, Tiller arm, Tiller extension



31030 Fiddle Block, Cleat



31031 Screw M6

M6 x 35 mm, Stainless steel



31032 Fairlead



31034 Mast - Super

31038 Mast - Sport

Aluminium segments 3x 1350 mm



31035 Block

(Main Sail)



31037 Mast joint

Version: Super, Sport Plastic

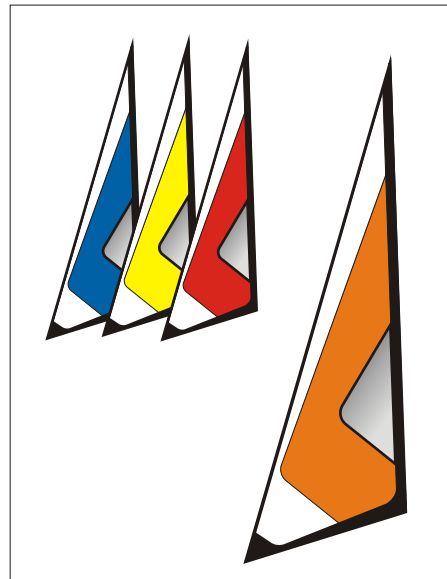


31042 Jib furler system



**31049 \* Sail - Sport, Super**

\*Colour:  
1 - blue ; 2 - red ; 3 - yellow  
4 - orange



**31050 \* Jib - Sport**

**31051 \* Jib - Super**

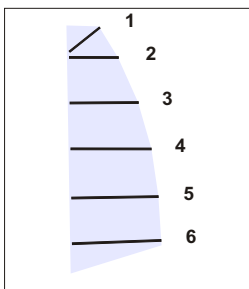
\*Colour:  
1 - blue ; 2 - red ; 3 - yellow ; 4 - orange



**31059 Valve**



**31060 Valve Wrench**



|   |       |                |
|---|-------|----------------|
| 1 | 31053 | Batten 655 mm  |
| 2 | 31054 | Batten 760 mm  |
| 3 | 31055 | Batten 1065 mm |
| 4 | 31056 | Batten 1240 mm |
| 5 | 31057 | Batten 1295 mm |
| 6 | 31058 | Batten 1270 mm |



4 litres      6/3 litres

**31061 Inflation pump 4 litres**

**31161 Inflation pump 6/3 litres**

*Pump commutable from double action to single action (works while pushing only).*



**31062 MiniCat Repair Kit**

Colour: Grey



**31063 Bag for small parts**

280 x 350 mm  
Colour: Grey



31064 **Minicat Bag**

1400 x 400 x 300 mm



31065 **Shackle**

(Main Sail)  
Stainless steel



31066 **Electric pump 12 V**

The compressor powered by a car battery



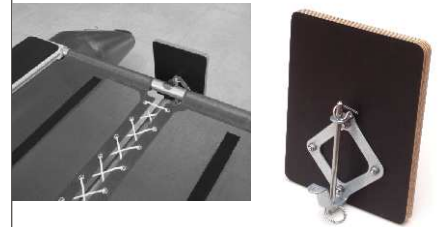
31067 **MiniCat Maintenance Kit**

Lubricant, UV Tech, WD-40, brush  
sponge, washing rag



31040 **Rudder Pin**

Stainless steel



31068 **Engine support**

A waterproof plywood board is easily  
fastened on the place of rudder mounting



31069 **D-rings with glue**



31070 **Wind Flag**

Indicator of wind direction on the top of the  
mast.



The boat may be packed in two smaller and  
lighter bags instead of one bag.

31071 **Two smaller bags**

1400 x 220 x 300 mm



**31072** A telephone case

*Protects against running water and also against short immersion in water.*



**31073** Waterproof sack 5l

**31074** Waterproof sack 12l

**31075** Waterproof sack 23l

**31076** Waterproof sack 40l



**31077** Pressure Gauge

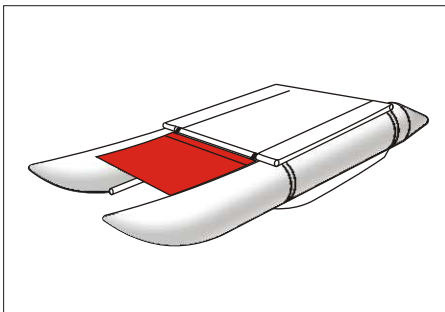


**31078** Telescopic Paddle

*Length 500 - 1150 mm.*

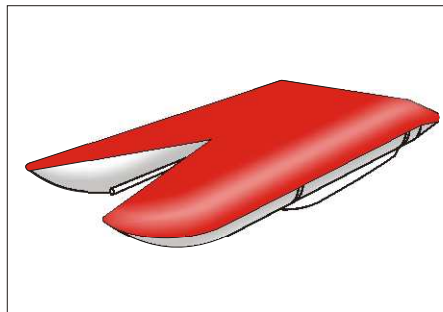


**31079** Adapter for Valves



**31080** Additional Trampoline

*Maximum load 20 kg*



**31081** Protective cover



**31082** Windmeter



31084 Mast Float



31085 Bag with wheels  
Plastel, Dimension: 1400 x 400 x 300 mm



31083 MiniCat Bag  
Plastel 500 x 300 x 250 mm



10501 Black Woolly Hat



10502 Black Cap



10503 White Water Bottle



10504 Fish Key Ring  
Anodized dural



10505 Compass



10507 Wind Proof Jacket  
XL ; XXL





**10508** Banner MiniCat  
3000 x 1000 mm



**10509** Flag MiniCat  
700 x 3000 mm



**10510** UV Tech  
Protectant & Rejuvenator 355 ml



**10403** T-shirt  
L ; XL Black ; Red



**10404** Polo shirt  
L ; XL Black ; Red



**10405** T-shirt  
L ; XL



**10406** Polo shirt  
L ; XL



**10407** Personal Flotation Device – Red  
Sizes: XS ; S/M ; L/XL ; XXL



**10408** Personal Flotation Device – Green  
Sizes: XS ; S/M ; L/XL ; XXL